

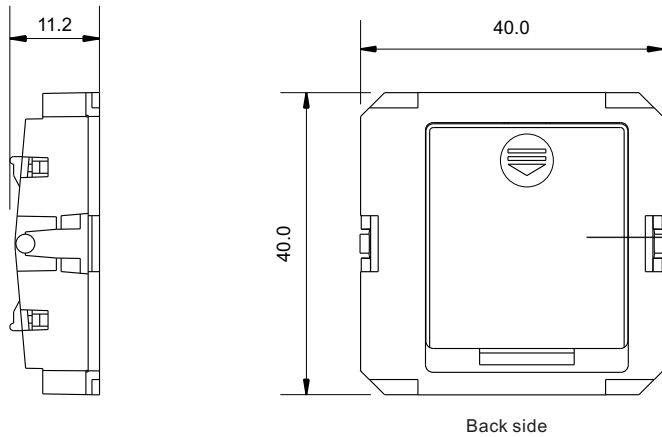
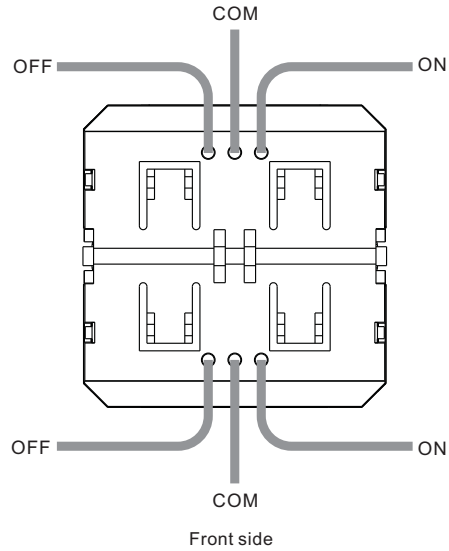
# RF Converter Module

09.2801PZZ.04110



**Important:** Read All Instructions Prior to Installation

## Function introduction



Battery: CR2430  
Before the first use, please open the battery cover and remove the protective film

## Product Data

Output	RF signal
Operation Frequency	868/869.5/434MHz
Power Supply	3V(1xCR2430 battery)
Operating temperature	0-40°C
Relative humidity	8% to 80%
Dimensions	40x40x11.2mm

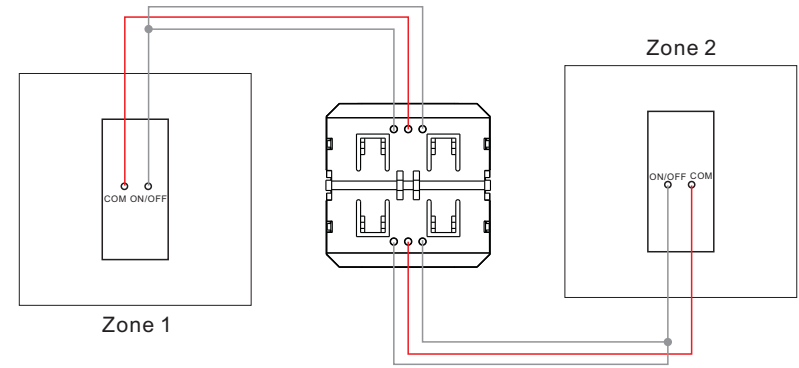
- Convert the push switch to be a RF remote dimmer switch
- Control 2 zones
- Single color controller
- Compatible with all universal series RF receivers
- 1 receiver can be paired by max 8 different remote controls.
- Waterproof grade: IP20

## Safety & Warnings

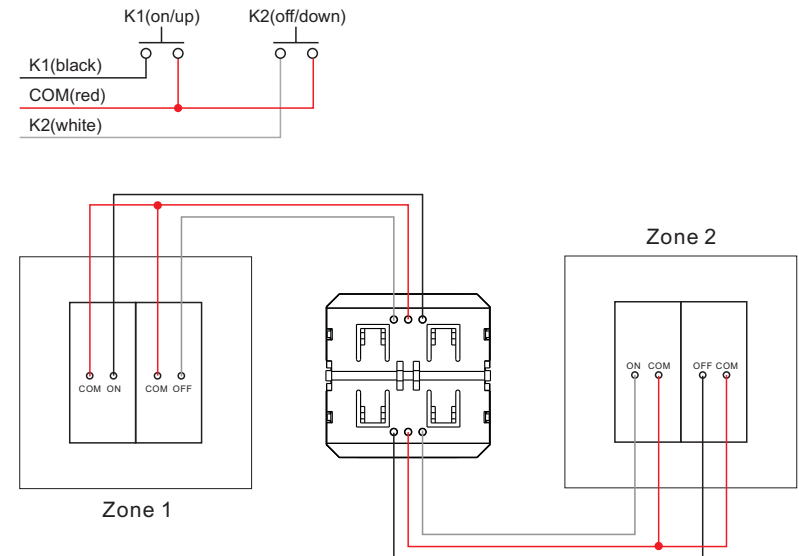
- This device contains a button lithium battery that shall be stored and disposed properly.
- DO NOT expose the device to moisture.

## Wiring diagram

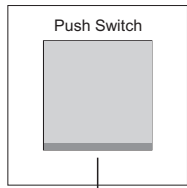
With 1 key push switch



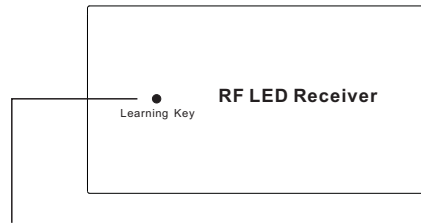
With 2 keys push switch



## Pair with RF receiver



**Step 1:** Do wiring the RF remote and receiver according to wiring diagram (please refer to the instruction of RF receiver that you would like to pair with).



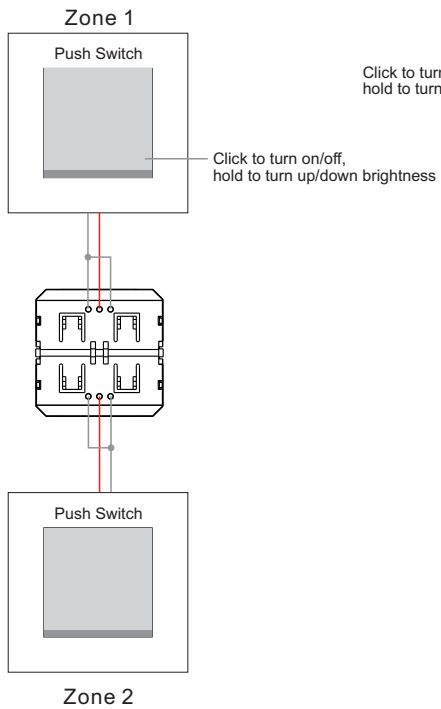
**Step 2:** Click the "Learning Key" button on RF receiver to set it into pairing status

**Step 3:** Click the push button of zone 1 or zone 2, LED lights connected with the RF receiver flicker once means the receiver is paired with the zone successfully.

**Note:** one receiver can be paired with max 8 remote controls.

## Dim with push switch:

### 1 key version



### Double keys version

